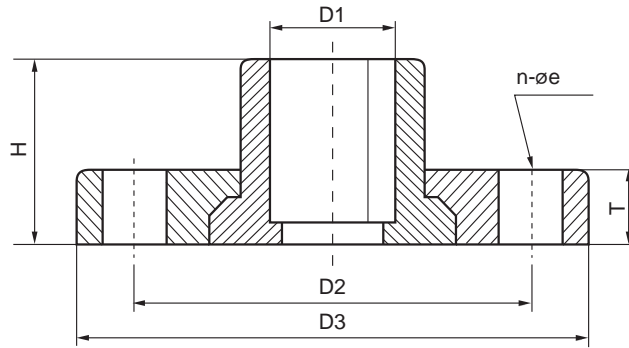


## Van Stone Flange VS100



**VS100**  
**Size: 1/2" - 24"**  
 UPVC & CPVC  
 150 PS1/Sch80  
 VAN STONE FLANGE

Dimensions Table

Nom. Size DN(inch)	D1	D2	D3	H	T		n	Ø
15(1/2")	1 - 1/32	2 - 3/8	3 - 1/2	1.0	1/2	2 - 1/32	4	9/16
20(3/4")	1 - 7/18	2 - 3/4	3 - 7/8	1 - 1/8	17/32	1 - 7/32	4	9/16
25(1")	1 - 3/4	3 - 1/8	4 - 1/4	1 - 9/32	21/32	1 - 9/32	4	9/32
32(1 - 1/4")	2 - 3/32	3 - 1/2	4 - 5/8	1 - 13/32	21/32	2 - 3/32	4	1/2
40(1 - 1/2")	2 - 3/8	3 - 7/8	4 - 31/32	1 - 1/2	23/32	3/4	4	5/6
50(2")	2 - 7/8	4 - 3/4	6.0	1 - 21/32	3/4	2 - 5/32	4	5/6
65(2 - 1/2")	3 - 19/32	5 - 1/2	6 - 31/32	1 - 21/32	15/16	1 - 3/8	4	5/6
80(3")	4 - 7/32	6.0	7 - 1/2	2 - 1/2	1.0	1 - 13/32	4	23/32
100(4")	5 - 1/4	7 - 1/2	9.0	2 - 1/2	13/32	1 - 13/32	8	23/32
150(6")	7 - 9/16	9 - 1/2	11 - 3/18	3 - 9/32	11/4	2 - 1/2	8	7/8
200(8")	9 - 3/8	11 - 3/4	13 - 1/2	4 - 5/8	1 - 13/32	3 - 1/18	8	7/8
250(10")	11 - 3/4	14 - 1/4	16.0	5 - 29/32	1 - 21/32	4 - 27/32	12	15/16
300(12")	13 - 11/16	17.0	18 - 15/18	7 - 17/32	1 - 21/32	6 - 1/2	12	1.0
350(14")	14 - 9/16	18 - 3/4	20 - 31/32	-	1 - 1/8	-	12	1 - 1/16
400(16")	16 - 9/16	21 - 1/4	23 - 1/2	-	1 - 1/8	-	16	1 - 1/8
▲ 400(18")	18 - 1/2	22 - 9/16	25	-	1 - 1/8	-	16	1 - 1/4
▲ 500(20")	20 - 1/2	25	27 - 1/2	-	1 - 1/8	-	20	1 - 1/4
▲ 600(24")	24 - 13/16	29 - 1/2	32	-	1 - 1/8	-	20	1 - 3/8

The ones with ▲ mark are the fabricated type