

Strong Union Ball Valve CG300

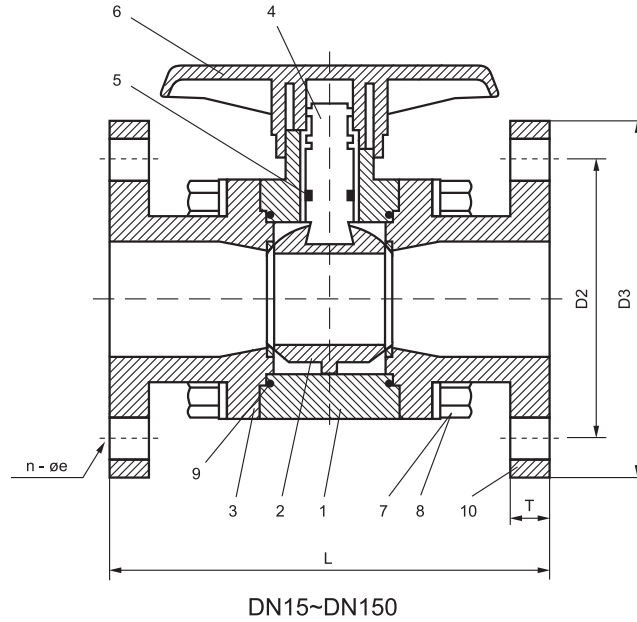


CG300
Size: DN15-DN150

Materials of Construction

No.	Parts	Pcs.	Materials	No.	Parts	Pcs.	Materials
1	Body	1	PVC, PP, PPG, PVDF	6	Handle	1	15A-100A ABS 125A-150A FC25
2	Ball	1	PVC, PP, PPG, PVDF	7	Bolt	15A-25A 4 40A-80A 6	Steel SUS-304
3	Seat	2	TEFLON	8	Nut	100A 8 150A 10	PVC COATED BRASS 100-150 SUS304
4	Shaft	1	PVC, PP, PPG, PVDF	9	Flange O-Ring	2	EPDM, VITON
5	O-Ring	15A-32A 1 40A-150A 2	EPDM, VITON	10	Flange	2	PVC, PP, PPG, PVDF

Strong Union Ball Valve CG300



Specifications:

- | | |
|--|---|
| 1. Test Press: 1 {15mm-1/2"~65mm-2 1/2"} : 15kgf/cm ² (222 lb/in ²) | 2. Working Press: 1 {15mm-1/2"~65mm-2 1/2"} : 10kgf/cm ² (148 lb/in ²) |
| 2 {80mm-3"~100mm-4"} : 10kgf/cm ² (148 lb/in ²) | 2 {80mm-3"~100mm-4"} : 7kgf/cm ² (105 lb/in ²) |
| 3 {125mm-5"~150mm-6"} : 7kgf/cm ² (105 lb/in ²) | 3 {125mm-5"~150mm-6"} : 5kgf/cm ² (75 lb/in ²) |

Dimensions Table

Standards Nom. size DN-inch	JIS						ANSI						DIN					
	Unit:mm						Unit:inch						Unit:mm					
	D3	D2	L Flange end	n	øe	T	D3	D2	L Flange end	n	øe	T	D3	D2	L Flange end	n	øe	T
15-1/2"	95	70	142	4	15	13	3.50	2.38	5.59	4	0.63	0.51	95	65	142	4	14	13
20-3/4"	100	75	152	4	15	15	3.88	2.76	5.98	4	0.63	0.59	105	75	152	4	14	15
25-1"	125	90	170	4	19	16	4.25	3.13	6.69	4	0.67	0.63	115	85	170	4	14	16
32-1-1/2"	135	100	170	4	19	16	4.62	3.50	6.69	4	0.71	0.63	140	100	170	4	18	16
40-1-1/2"	140	105	184	4	19	18	5.00	3.88	7.24	4	0.71	0.71	150	110	184	4	18	18
50-2"	155	120	192	4	19	18	6.00	4.74	7.56	4	0.67	0.71	165	125	192	4	18	18
65-2-1/2"	175	140	216	4	19	20	7.00	5.49	8.50	4	0.75	0.78	185	145	216	4	18	20
80-3"	185	150	245	8	19	20	7.50	6.00	9.64	4	0.75	0.78	200	160	245	8	18	20
100-4"	210	175	296	8	19	23	9.00	7.50	11.65	8	0.78	0.90	220	180	296	8	18	23
125-5"	250	210	395	8	23	24	10.00	8.50	15.55	8	0.87	0.94	250	210	395	8	18	24
150-6"	280	240	395	8	23	24	11.00	9.50	15.55	8	0.87	0.94	280	240	395	8	23	24

* PVC - PVDF - PP 70%

* The dimension table is calculably based on PVC material.
The value of test pressure is calculably based on PVC PVDF materials.
The value os test pressure for PP material is 70% based on this table.