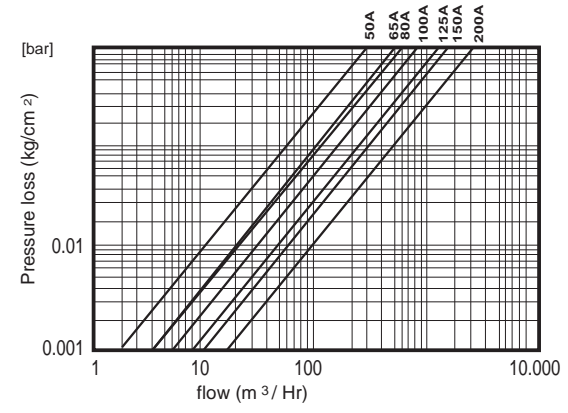
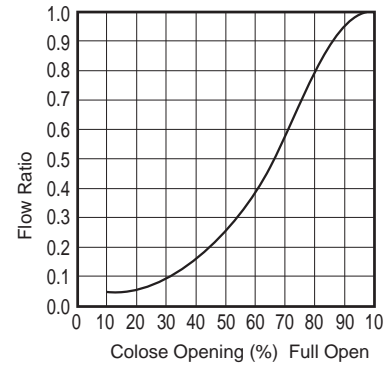


Butterfly Valve BB300 Lever handle type

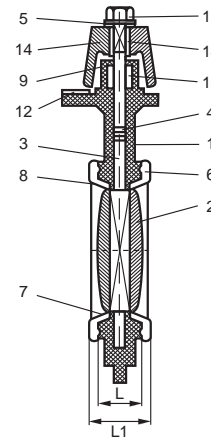
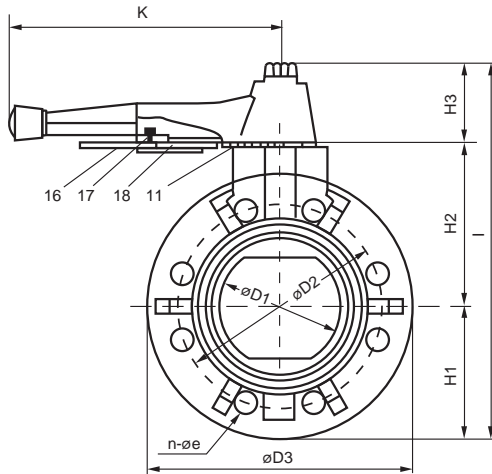


BB300
Size: 2" - 8"
 options 8" (DN200) GEAR OPERATOR TYPE

Materials of Construction

No.	Parts	Pcs.	Materials	No.	Parts	Pcs.	Materials
1	Body	1	UPVC, PP, PPG, PVDF, CPVC	10	Reatainer Cap	1	UPVC, PP, PVDF
2	Disc	1	UPVC, PP, PPG, PVDF, CPVC	11	Positioner	1	SUS304
3	Stem	1	SUS410, SUS316, SUS304	12	Screw	3...DN50-200 4...DN200	SUS304
4	Stem O'ring	2	EPDM, VITON	13	Handle	1	ABS
5	Washer	1	SUS304	14	Inserted Metal Of Handle	1	FC0208
6	Seat	1	EPDM, VITON, NBR, HYPALON	15	Nut	1	PVC COATED
7	Disc O'ring (1)	2	EPDM, VITON	16	Handle Lever	1	SUS304
8	Disc O'ring (2)	2	EPDM, VITON	17	Spring	1	SUS304
9	Stem Retainer	1	SUS304	18	Set Pin	1	BSBM

Butterfly Valve BB300 Lever handle type



Torque Values (1kgf/m=9.8N.m)

BF-V'S Size	Torque Under Without Any Water Pressure (Kgf/m)	Under Water Testing Pressure (Kg/cm ²)			BF-V'S Size	Torque Under Without Any Water Pressure (Kgf/m)	Under Water Testing Pressure (Kg/cm ²)		
		Water Pressure (Kgf/cm ²)	Open Torque (Kgf/m)	Close Torque (Kgf/m)			Water Pressure (Kgf/cm ²)	Open Torque (Kgf/m)	Close Torque (Kgf/m)
2"	1.5	15	0.5	0.5	10"	17.0	8	7	10
2-1/2"	1.5	15	0.5	0.5	12"	27.0	6	14	18
3"	2.0	15	1	1.5	14"	37.0	6	25	28
4"	2.0	12	1	1.5	16"	42.0	-	-	-
5"	5.0	12	2.5	4.5	18"	52.0	-	-	-
6"	6.5	12	4	7	20"	65.0	-	-	-
8"	10.0	10	6	8.5	24"	76.0	-	-	-

Dimensions Table

JIS													unit:mm		
Nom. Size DN-inch	D1	D2	D3	øe	n	L	L1	H1	H2	H3	I	K	Test Press (kgf/cm ²)		Working Press (kgf/cm ²)
													Body	Seat	
50(2")	57	120	160	19	4	35	42	83	102	68	253	220	15.0	12.0	10.0
65(2 1/2")	72	140	184	19	4	37	46	92	110	68	270	220	15.0	12.0	10.0
80(3")	80	150	200	19	8	37	46	100	118	68	286	220	15.0	12.0	10.0
100(4")	100	175	230	19	8	47	56	115	134	68	312	220	15.0	12.0	10.0
125(5")	130	210	250	23	8	57	66	127	160	96	391	310	15.0	12.0	10.0
150(6")	150	240	290	23	8	62	71	145	177	96	418	310	15.0	12.0	10.0
200(8")	203	290	337	23	12	76	87	168	204	93	476	414	15.0	12.0	10.0



Butterfly Valve BB300 Lever handle type

Nom. Size DN-inch	ANSI												Test Press (kgf/cm ²)		Working Press (lb/in ²)
	unit:inch														
	D1	D2	D3	øe	n	L	L1	H1	H2	H3	I	K	Body	Seat	
50(2")	2.24	4.75	6.29	0.75	4	1.38	1.65	3.27	4.01	2.68	9.96	8.66	222	177	150
65(2 1/2")	2.83	5.50	7.24	0.75	4	1.46	1.81	3.62	4.33	2.68	10.63	8.66	222	177	150
80(3")	3.15	6.00	7.87	0.75	4	1.46	1.81	3.94	4.64	2.68	11.26	8.66	222	177	150
100(4")	3.93	7.50	9.06	0.75	8	1.85	2.20	4.53	5.28	2.68	12.48	8.66	222	177	150
125(5")	5.12	8.50	9.84	0.87	8	2.24	2.60	5.00	6.30	3.78	15	12.20	222	177	150
150(6")	5.90	9.50	11.42	0.87	8	2.44	2.80	5.71	6.97	3.78	16.76	12.20	222	177	150
200(8")	7.99	11.75	13.27	0.87	8	2.99	3.43	6.61	8.03	3.66	18.74	16.30	222	177	150

Nom. Size DN-inch	DIN												Test Press (kgf/cm ²)		Working Press (kgf/cm ²)
	unit:mm														
	D1	D2	D3	øe	n	L	L1	H1	H2	H3	I	K	Body	Seat	
50(2")	57	125	160	18	4	35	42	83	102	68	253	220	15.0	12.0	10.0
65(2 1/2")	72	145	184	18	4	37	46	92	110	68	270	220	15.0	12.0	10.0
80(3")	80	160	200	18	8	37	46	100	118	68	286	220	15.0	12.0	10.0
100(4")	100	180	230	18	8	47	56	115	134	68	312	220	15.0	12.0	10.0
125(5")	130	210	250	18	8	57	66	127	160	96	391	310	15.0	12.0	10.0
150(6")	150	240	290	23	8	62	71	145	177	96	418	310	15.0	12.0	10.0
200(8")	203	295	337	23	8	76	87	168	204	93	476	414	15.0	12.0	10.0

Standard dimensions based on PVC material