

Super Large Sized Butterfly Valve BS300



BS300
Size:ø700(28")~ø1200(48")

Material: UPVC, PP, CPVC, PPG, PVDF
Model: Gear operated type, Chaining type
 Hydraulic type, Pneumatic type

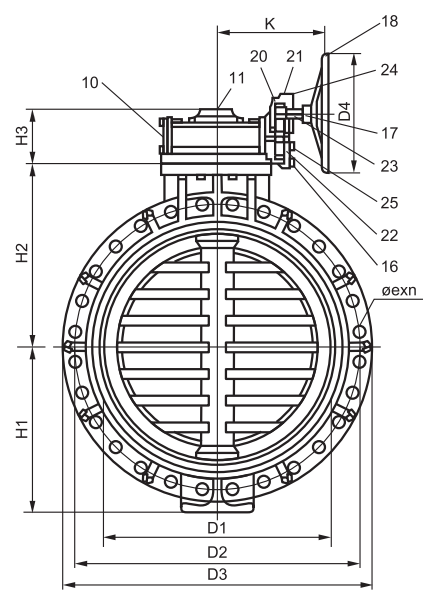
Features:

- Fullport allowing max. fluid flow.
- ECONOMIC EQUIPMENT: Auld controlplate oonealed Inpipingsystem, space saved.
- EASYOPERATION-90" open and close, long duration
- WIDE APPLICATION RANGE-Acid &alk all resistance,anti-corrosion,and suitable for fluid and air use.

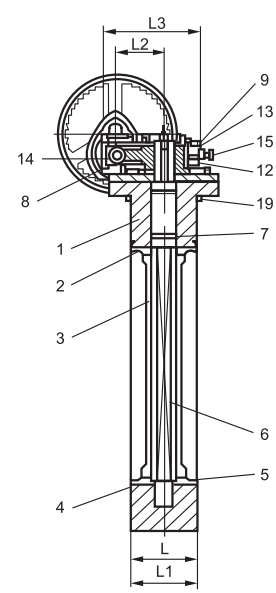
Materials of Construction

No.	Parts	Pcs.	Materials	No.	Parts	Pcs.	Materials
1	Body	1	PPG	14	Bearing	1	STEEL
2	Seat	1	EPDM, VITON, NBR, HYPALON	15	Adjustable Bolt	2	STEEL
3	Disc	1	UPVC, PP, CPVC, PPG, PVDF	16	WORM SHAFT	1	STEEL
4	Disc O'ring(A)	2	EPDM, VITON	17	Set Pin	1	K7
5	Disc O'ring(B)	2	EPDM, VITON	18	Hand Wheel	1	CAST IRON
6	Stem	1	SUS210	19	Tightening Bolt	4	SS304
7	Steam O'ring	2	EPDM, VITON	20	Bearing	4	COPPER
8	Great Box	1	CAST IRON	21	SPUR GEAR BODY	1	CAST IRON
9	Gear Box Cap	1	CAST IRON	22	SPUR GEAR	1	STEEL
10	Side Cap	1	CAST IRON	23	SPUR GEAR SHAFT	1	STEEL
11	Indicator Plate		CAST IRON	24	SPUR GEAR COVER	1	CAST IRON
12	Gear		DUCTILE IRON	25	BOLT	6	STEEL
13	Oil Seal		PAPER				

Super Large Sized Butterfly Valve BS300



DN700~DN1200



Dimensions Table

Nom. Size DN(inch)	JIS											unit:mm	
	D1	D2	D3	n	e	H1	H2	H3	K	D4	L	L1	
700(28")	580	840	928	24	33	495	555	140	306	508	200	206	
800(32")	780	950	1060	28	33	560	625	142	370	406	234	244	
900(36")	870	1050	1175	28	33	620	690	142	370	406	234	245	
1000(40")	970	1160	1286	28	39	685	750	210	471	508	294	301	
1100(44")	1070	1275	1403	28	39	712	823	210	471	508	294	301	
1200(48")	1170	1380	1512	32	39	776	876	210	471	508	294	301	

Nom. Size DN(inch)	ANSI											unit:inch	
	D1	D2	D3	n	e	H1	H2	H3	K	D4	L	L1	
700(28")	26.77	33.99	36.54	24	1.37	19.49	21.85	5.51	12.04	20	7.87	8.11	
800(32")	30.70	38.50	41.73	24	1.61	22.05	24.61	5.59	14.58	16	9.21	9.60	
900(36")	34.25	42.75	46.26	32	1.62	24.41	27.17	5.59	14.58	16	9.21	9.64	
1000(40")	38.18	46.25	50.63	32	1.62	26.97	29.53	8.27	18.54	20	11.57	11.85	
1100(44")	42.12	51.75	55.25	40	1.62	28.03	32.48	8.27	18.54	20	11.57	11.85	
1200(48")	46.06	56.00	59.52	44	1.62	30.55	34.48	8.27	18.54	20	11.57	11.85	



Super Large Sized Butterfly Valve BS300

Nom. Size DN(inch)	DIN										unit:mm	
	D1	D2	D3	n	e	H1	H2	H3	K	D4	L	L1
700(28")	680	840	928	24	30	495	555	140	306	508	200	206
800(32")	780	950	1060	24	33	560	625	142	370	406	234	244
900(36")	870	1050	1175	28	33	620	690	142	370	406	234	245
1000(40")	970	1175	1286	28	36	685	750	210	471	508	294	301
1100(44")	1070	-	1403	-	-	712	825	210	471	508	294	301
1200(48")	1170	-	1512	32	39	776	876	210	471	508	294	301