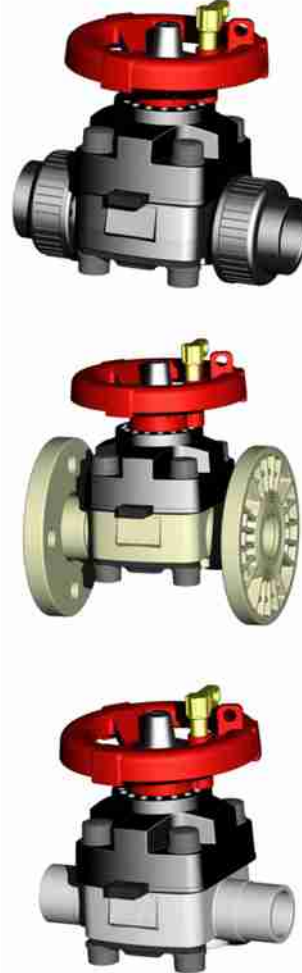


Diaphragm valve T4 [hand operated]



General:

Body material: PVC-U, PP, PVDF
Seals: EPDM, FPM
Diaphragm: EPDM, EPDM/PTFE
Dimensions: DN15 - DN125 d20 -
d140 1/2" - 4"

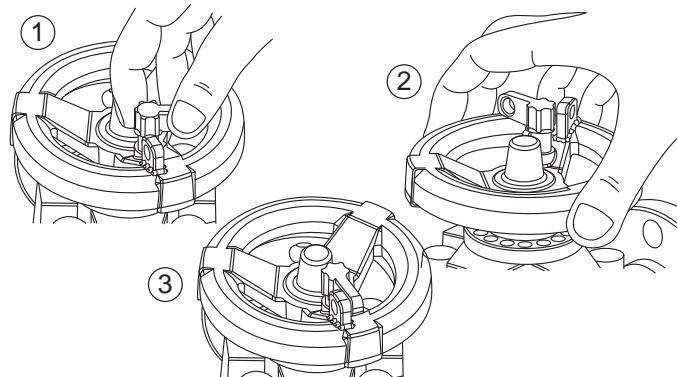
Connections:

Solvent socket DIN / ISO / ASTM / JIS
PVC
Solvent spigot DIN
PVC
Threaded socket BSP
PVC
Fusion spigot DIN
PP / PVDF
Fusion socket DIN
PP / PVDF / PE
Backing flange DIN / ANSI
PVC / PP-GFK
Fix flange DIN / ANSI / JIS / BS
PVC / PP
Fixflange DIN / ANSI / JIS / BS
PP / PVDF

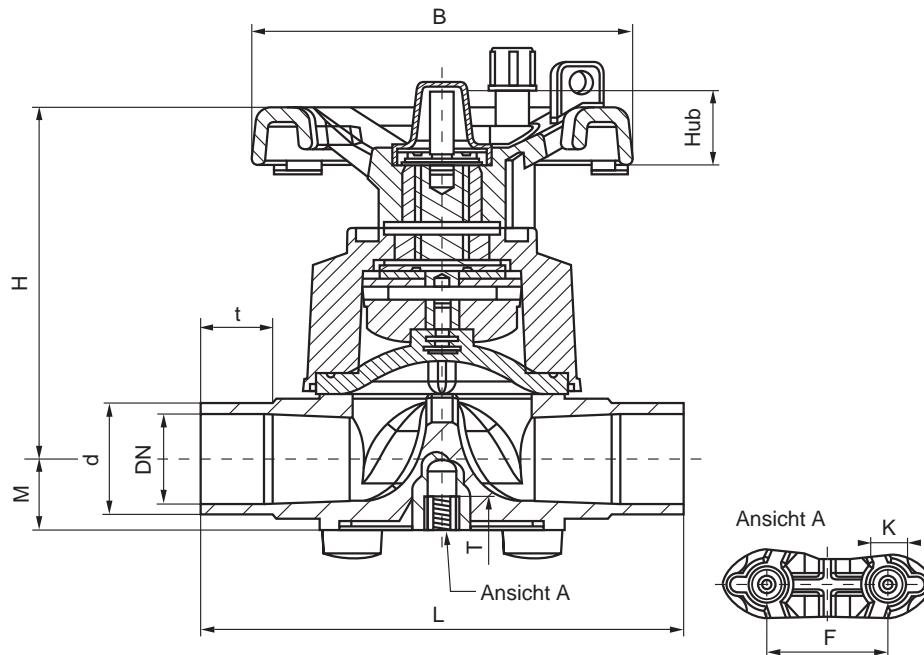
Operating pressure: PN10

Technical features:

safety gear wheel corrosion resistant
maintenance free operation over a
longworking life suitable for aggressive
and dirty media radial installation or
removal easy replacement of the
diaphragm



Diaphragm valve T4 [hand operated]



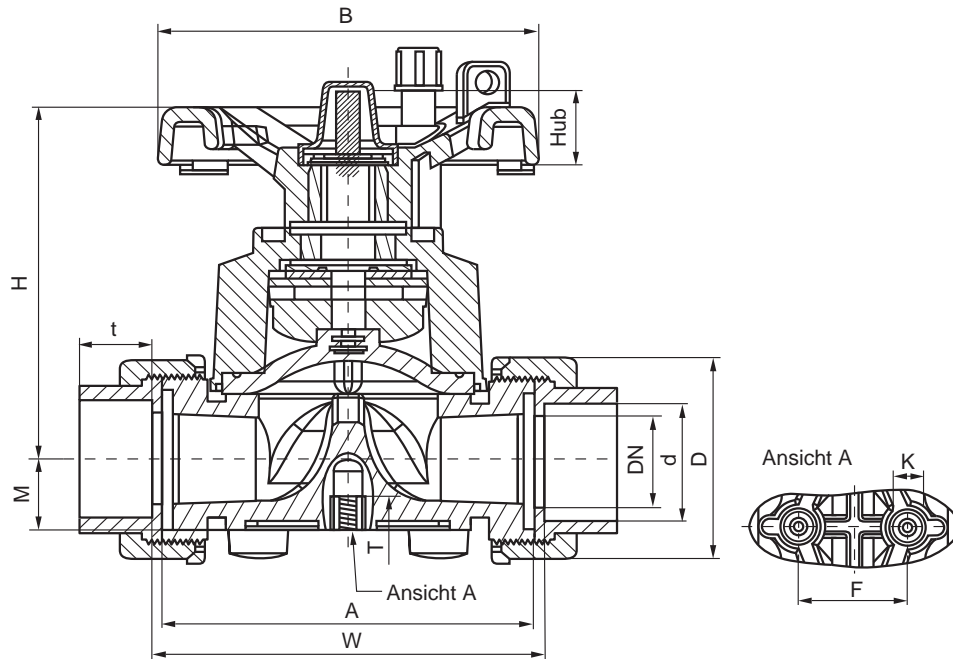
PVC-U / PP / PVDF
Connector type
 PVC Solvent spigot
 PP / PVDF Fusion spigot

DN	15	20	25	32	40	50	65
d	20	25	32	40	50	63	75
inch	1/2"	3/4"	1"	1 1/4"	1 1/2"	2"	2 1/2"
M _{PVC}	17	17	21	33	33	40.5	25
M _{PP / PVDF}	16.5	19	22	26	31	38	25
H	100	100	107	144	144	170	260
B	86	86	86	136	136	136	234
F	25	25	25	45	45	45	-
Hub	9	9	11	22	22	28	35
K	M6	M6	M6	M8	M8	M8	-
L	124	144	154	174	194	224	284
T	12	12	12	15	15	15	-
t _{KS} ¹	16	19	22	26	31	38	44
t _{SS} ²	28.5	36	36	38.5	46	46	37
PN	10	10'	10	10	10	10	10

¹ KS = Solvent spigot
² SS = Fusion spigot
 - = no Thread insert sataring with NN65

Dimensions in mm

Diaphragm valve T4 [hand operated]



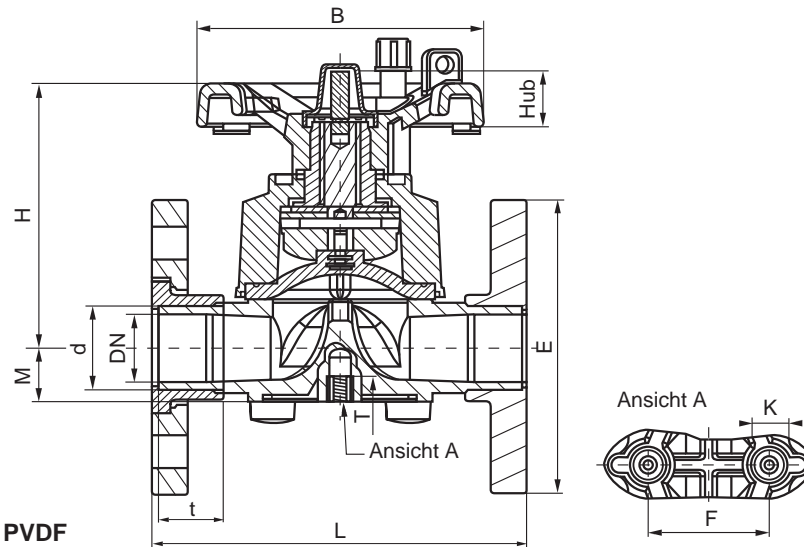
PVC-U / PP / PVDF
Connector type
PVC Solvent spigot
PP / PVDF Fusion spigot

	DN	15	20	25	32	40	50
	d	20	25	32	40	50	63
	inch	1/2"	3/4"	1"	1 1/4"	1 1/2"	2"
	H	100	100	107	144	114	170
	B	86	86	86	136	136	136
	F	25	25	25	45	45	45
	K	M6	M6	M6	M8	M8	M8
	Hub	9	9	11	22	22	28
PVC	t _{GM 1}	16	19	22	26	31	38
	t _{KM 2}	16	19	22	26	31	38
	t _{SM 3 PE}	16	17.5	19.5	22	25	29
	G _{SM 1}	1/2"	3/4"	1"	1 1/4"	1 1/2"	2"
	A	90	108	116	174	154	184
	D	43	53	60	74	83	103
	M	17	17	21	33	33	40.5
PP / PVDF	W _{GM 1 KM 2}	96	114	122	142	160	190
	W _{SM 3 (PE)}	95	116	126	148	173	209
	t _{SM 2 (PP/PVDF)}	16	18	20	22	24.5	29
	A	90	108	116	174	154	184
	D	47	57	64	78	89	109
	M	16.5	16.5	20	25.5	32	38.5
	W _{SM 3}	96	114	122	205	161	190
	PN	10	10	10	10	10	10

¹ GM = Threaded socket
² KM = Solvent socket

Dimensions in mm

Diaphragm valve T4 [hand operated]



PVC-U / PP / PVDF
Connector type

PVC Backing flange / Fix flange

PP Backing flange with steel inlay / fix flange / Fixflange

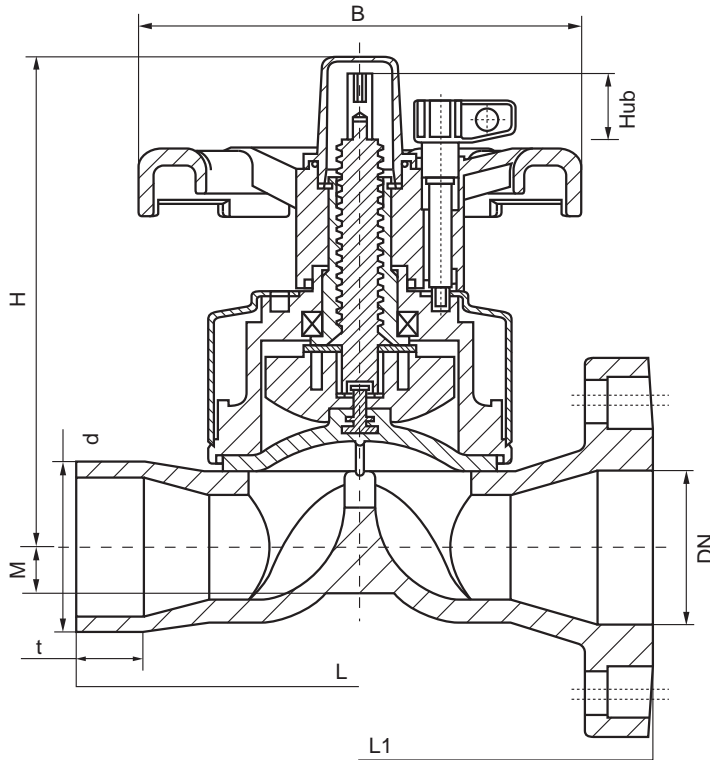
PVDF Backing flange

	DN	15	20	25	32	40	50	65
	d	20	25	32	40	50	63	75
	inch	1/2"	3/4"	1"	1 1/4"	1 1/2"	2"	2 1/2"
	H	100	100	107	144	114	170	260
	B	86	86	86	136	136	136	234
	F	25	25	25	45	45	45	-
	K	M6	M6	M6	M8	M8	M8	-
	Hub	9	9	11	22	22	28	35
PVC	E _{LF 1}	95	105	115	140	150	165	-
	E _{FF 2}	97	105	125	140	150	165	-
	M	17	17	21	33	33	40.5	25
	L _{LF 1}	130	150	160	180	200	230	290
	L _{FF 2}	130	150	160	180	200	230	290
PP / PVDF	E _{LF 1} DIN	95	108	115	140	151	165	-
	E _{LF 1} ANSI	95	102	114	130	133	162	-
	E* _{FF 2}	95	105	115	-	-	-	-
	E* _{FIF 3}	95	105	115	140	150	165	-
	M	16.5	16.5	20	25.5	32	38.5	25
	L _{LF 1}	130	150	160	180	200	230	284
	L _{FF 2}	130	150	160	-	-	-	284
L _{FIF 3}	130	150	160	180	200	230	284	
	PN	10	10	10	10	10	10	10

¹ LF = backing flange
² FF = fix flange
³ FIF = Fixflange
 - = currently unrealised

Dimensions in mm

Diaphragm valve T4 [hand operated]



PVC-U / PP / PVDF
 Connector type
 PVC / PP / PVDF Fixflange
 PP / PVDF fusion spigot

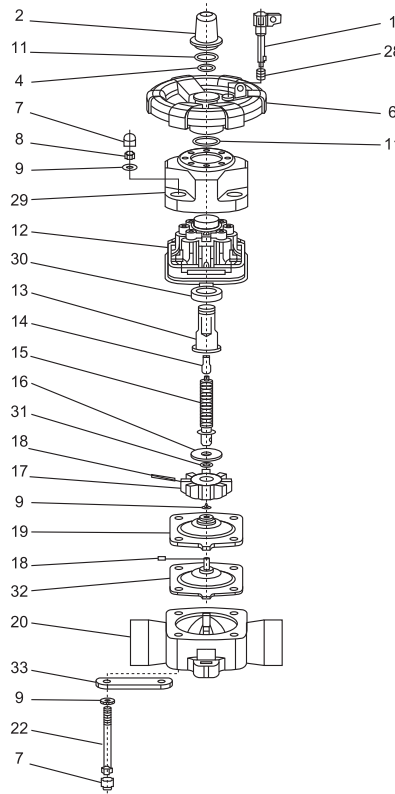
DN	80	100	125
d	90	110	140
inch	3"	4"	5"
M	25	25	25
H	260	330	330
B	234	234	234
Hub	35	45	45
L1 FL 1	310	350	400
L* ss 2	300	340	340
t ss 2	37	50	50
PN	10	10	10

Dimensions in mm

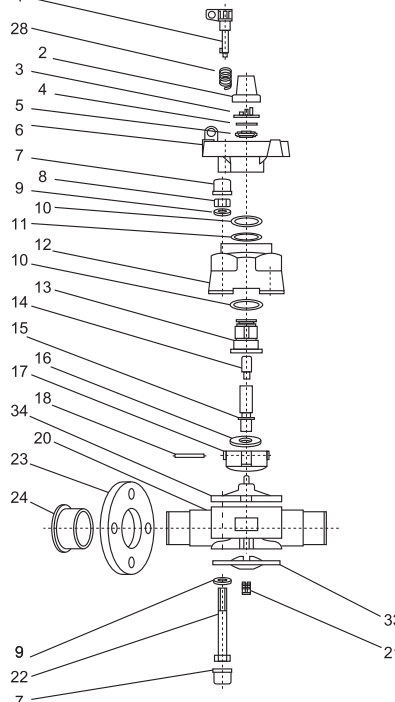
- 1 LF = backing flange
- 2 FF = fix flange
- 3 FIF = Fixflange
- = currently unrealised

Diaphragm valve T4 [hand operated]

DN15-DN50



DN65-DN125

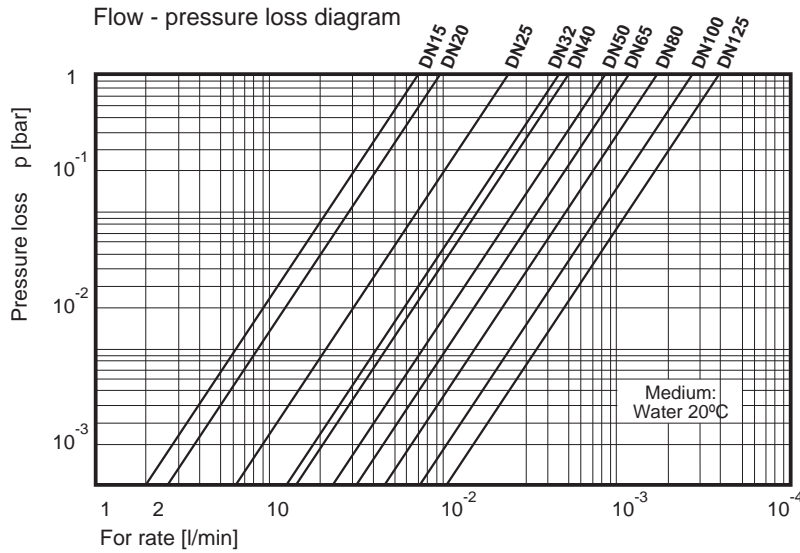


Exploded drawing:

- 01. Positioning bolt
- 02. Sight glass
- 03. Indication disk
- 04. Circlip
- 05. Shim
- 06. Gear wheel
- 07. Cover
- 08. Hex nut
- 09. Shim
- 10. Disk
- 11. O-Ring
- 12. Bonnet
- 13. Screen socket
- 14. Positioning indicator
- 15. Dowel pin
- 16. Distance disk
- 17. Compressor
- 18. Dowel pin
- 19. Diaphragm
- 20. Bottom
- 21. Insert nut
- 22. Screw (from DN100 with 8 screws)
- 23. Flange
- 24. Flange adaptor
- 28. Spring
- 29. Covering for Bonnet
- 30. Axial deep groove ball bearing
- 31. Shim
- 32. Diaphragm
- 33. Plate (only PP)
- 34. Diaphragm

Diaphragm valve T4 [hand operated]

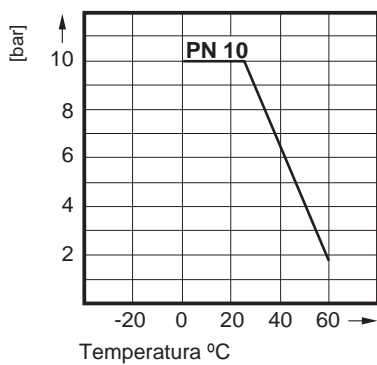
Diagrams:



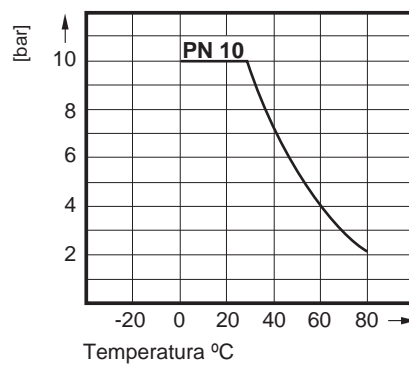
Cv value table

Pressure loss	DN15	DN20	DN25	DN32	DN40	DN50	DN65	DN80	DN100	DN125
1 bar	70 l/min	95 l/min	250 l/min	450 l/min	500 l/min	880 l/min	1.100 l/min	1.700 l/min	2.700 l/min	4.000 l/min

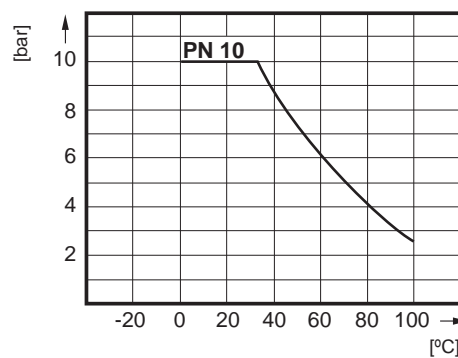
Pressure - Temperature Diagram -PVC-U



Pressure - Temperature Diagram -PP

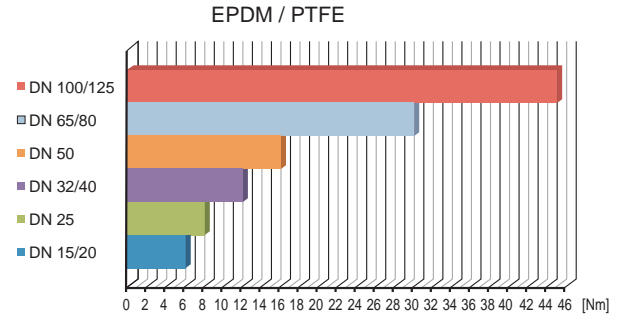
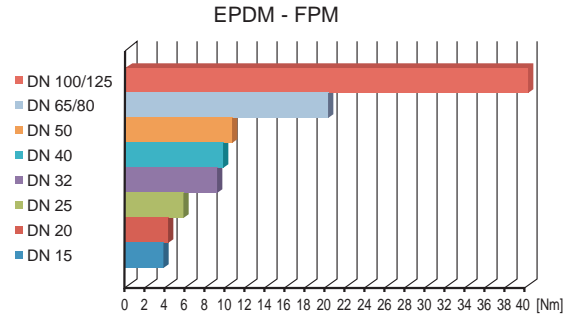


Pressure - Temperature Diagram -PVDF



Diaphragm valve T4 [hand operated]

Starting torque of gear wheel



Tightening torque of screws

