

## Cone Check Valve S4



### General:

- Material: PVC-U / PP / PVDF
- Sealing material: EPDM / FPM
- Spring: WST 1.4401  
PTFE beschichtet
- Dimensions: DN10 - DN80  
d16 - d110  
3/8" - 4"

### Connector types:

#### PVC

- Solvent socket DIN / ASTM / JIS
- Solvent spigot DIN
- Threaded socket BSP
- PE fusion socket DIN
- PE fusion spigot DIN
- Fixed flange DIN / ANSI / JIS
- Backing flange DIN  
(on request)

#### PP

- Fusion socket DIN
- Fusion spigot DIN
- Threaded socket BSP

#### PVC

- Fusion socket DIN
- Fusion spigot DIN
- Threaded socket BSP

Further Connector types on request

### Operating pressure:

DN10 d16 3/8" - DN50 d63 d2"  
PN16/10

DN65 d75 d2 1/2"  
PN16/8

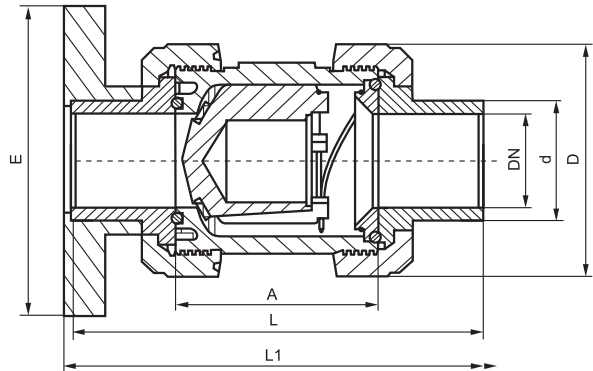
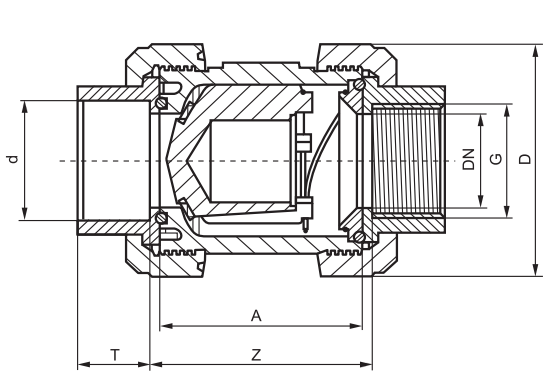
DN80 d90 3"  
PN10/6

DN80 d110 4"  
PN6

### Technical features:

- Corrosion resistant
- Maintenance free operation over a long working life
- Easy of servicing
- Radial installation or removal
- Quick and exact closing and opening
- Opening pressure 0,06 bar

## Cone Check Valve S4



### PVC-U

#### Connector types

PVC solvent socket / solvent spigot / threaded socket

PVC fixed flange

PE fusion socket / fusion spigot

DN	10	15	20	25	32	40	50	65	80	80
d	16	20	25	32	40	50	63	75	90	110
G <sup>TSO 1</sup>	3/8"	1/2"	3/4"	1"	1 1/4"	1 1/2"	2"	2 1/2"	3"	-
A	62	62	70	74	84	95	109	137	163	163
D	53	53	63	70	85	101	124.5	155	188	188
t <sup>SSP 2</sup>	16.5	16.5	19.5	22.5	26.5	31.5	38.5	45	55.5	64
t <sup>FSP 4 PE</sup>	14.5	16	17	19.5	22	25	29	34.5	37.5	41.5
E <sup>FF 6</sup>	-	97	105	125	140	150	165	185	200	229
L <sup>SSP 4</sup>	115	125	145	154	174	194	223	287	300	341
L <sup>FSP 5 PE</sup>	112	123	143	151	142	180	197	253	293	323
L1 <sup>FF 6</sup>	120	130	150	160	180	200	230	290	310	350
Z <sup>SSO 2</sup>	68	67	76	80	81	103	120	148	180	173
Z <sup>TSO 1</sup>	67	67	77	81	90	104	120	150	185	-
Z <sup>FSP 3 PE</sup>	71	68	80	79	98	115	137	165	210	210
PN	16	16	16	16	16	16	16	16	10	6

Dimensions in mm

<sup>1</sup> TSO = Threaded socket

<sup>2</sup> SSO = Solvent socket

<sup>3</sup> SSP = Solvent spigot

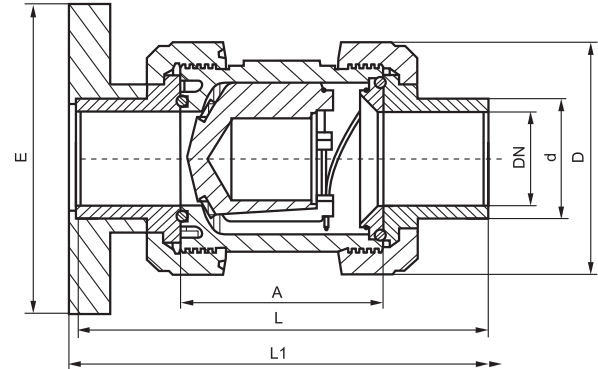
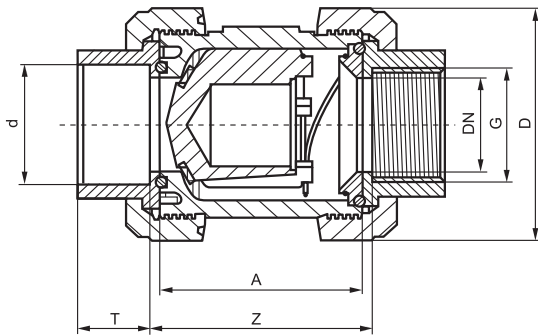
<sup>4</sup> FSO = Fusion socket

<sup>5</sup> FSP = Fusion spigot

<sup>6</sup> FF = Fixed flange

- = Not realised

## Cone Check Valve S4



### PP

#### Connector types

PP fusion socket / fusion spigot / threaded socket

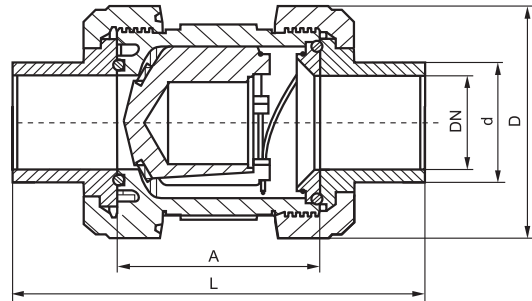
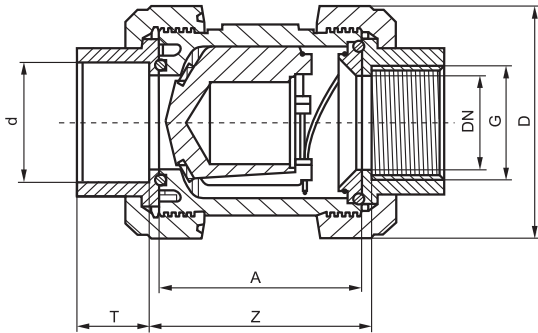
PE fusion socket / fusion spigot

DN	10	15	20	25	32	40	50	65	80	80
d	16	20	25	32	40	50	63	75	90	110
G <sup>TSO 1</sup>	3/8"	1/2"	3/4"	1"	1 1/4"	1 1/2"	2"	2 1/2"	3"	-
A	62	62	70	74	84	95	109	137	163	163
D	53	53	63	70	85	101	124.5	155	188	188
t <sup>SSP 2</sup>	16.5	16.5	19.5	22.5	26.5	31.5	38.5	45	55.5	64
t <sup>FSP 4 PE</sup>	14.5	16	17	19.5	22	25	29	34.5	37.5	41.5
E <sup>FF 6</sup>	-	97	105	125	140	150	165	185	200	229
L <sup>SSP 4</sup>	115	125	145	154	174	194	223	287	300	341
L <sup>FSP 5 PE</sup>	112	123	143	151	142	180	197	253	293	323
L1 <sup>FF 6</sup>	120	130	150	160	180	200	230	290	310	350
Z <sup>SSO 2</sup>	68	67	76	80	81	103	120	148	180	173
Z <sup>TSO 1</sup>	67	67	77	81	90	104	120	150	185	-
Z <sup>FSP 3 PE</sup>	71	68	80	79	98	115	137	165	210	210
PN	16	16	16	16	16	16	16	16	10	6

Dimensions in mm

- 1 TSO = Threaded socket
- 2 SSO = Solvent socket
- 3 SSP = Solvent spigot
- 4 FSO = Fusion socket
- 5 FSP = Fusion spigot
- 6 FF = Fixed flange
- = Not realised

## Cone Check Valve S4



### PVDF

#### Connector types

PVDF fusion socket / fusion spigot / threaded socket

DN	10	15	20	25	32	40	50	65	80	80
d	16	20	25	32	40	50	63	75	90	110
G <sup>TSO 1</sup>	3/8"	1/2"	3/4"	1"	1 1/4"	1 1/2"	2"	2 1/2"	3"	-
A	62	62	69	73	83	94	108	133	160	160
D	52.5	52.5	63	70	83	98.5	118	151	183	183
t <sup>Fso 2</sup>	14.5	16	17.5	19.5	22	25.5	29	34.5	38.5	41.5
L <sup>FSP 3</sup>	114	125	143	152	171	191	220	297	295	320
Z <sup>TSO 1</sup>	67	67	74	80	89	103	119	143	180	-
Z <sup>Fso</sup>	71	68	78	84	97	113	136	162	207	213
PN	16	16	16	16	16	16	16	16	10	6

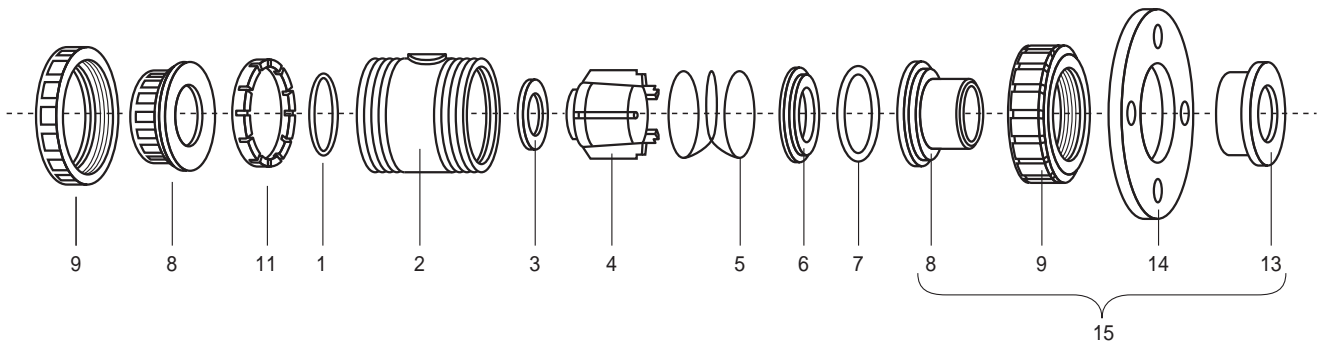
Dimensions in mm

- <sup>1</sup> TSO = Threaded socket
- <sup>2</sup> FSO = Fusion socket
- <sup>3</sup> FSP = Fusion spigot
- = Currently not realised

## Cone Check Valve S4

### Exploded drawing:

- 01 O-Ring
- 02 Body
- 03 Flat gasket
- 04 Cone
- 05 Spring (PTFE (Teflon®) coated or WST 1.4401)
- 06 Thrust collar
- 07 O-Ring
- 08 Connector types  
Solvent socket / -spigot  
Fusion socket / -spigot  
Threaded socket
- 09 Union nut
- 11 Screen (only PP and PVDF)
- 13 Flange adapter / stub flange
- 14 Backing flange / fixed flange
- 15 Connection set



### Diagrams:

Pressure loss diagram

