

## Anticorrosive Coated Valves Lines Plug Valve

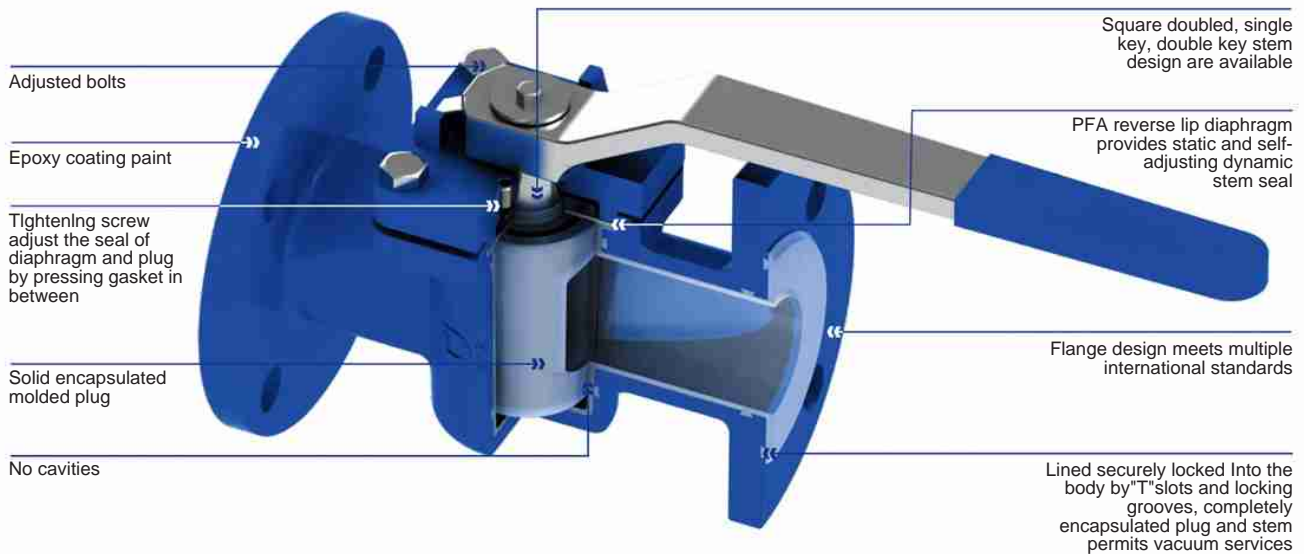
| Lined plug valve       |   |
|------------------------|---|
| Size                   | 15mm~300mm (0.5"~12")   |
| Working pressure       | 0.1mbar~16 bar  |
| Temperature range      | -20° C ~ 200° C according to working conditions, other temperatures on request. |
| Design and Manufacture | API 599   |
| Face to Face           | ASME B16.10 DIN 3202 JS B2212   |
| Flange Ends            | ASME B16.5 DIN 2532 JIS B2212   |
| Visual Inspection      | MSS Sp54  |
| Testing                | API 598 DIN 12569 JIS B2003   |
| Pressure & Temperature | ASME B16.34   |
| Operator Type          | Lever / Gear / Pneumatic / Electric   |
| Spark testing          | 14kv  |

### Lined plug valve

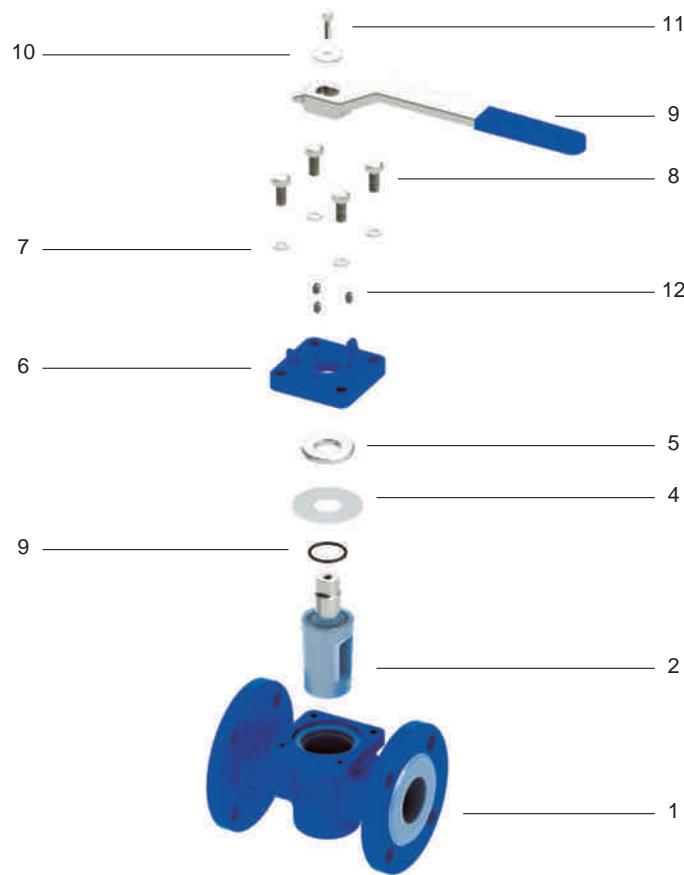
Straight through lined plug valves provide unrestricted flow when fully open, and are also operable in a throttled position.

The moulded liner assure excellent chemical resistance and long service life.

Products are manufactured using latest production methodology backed by continuing quality control from raw materials to finish products to ensure the highest possible quality standards.



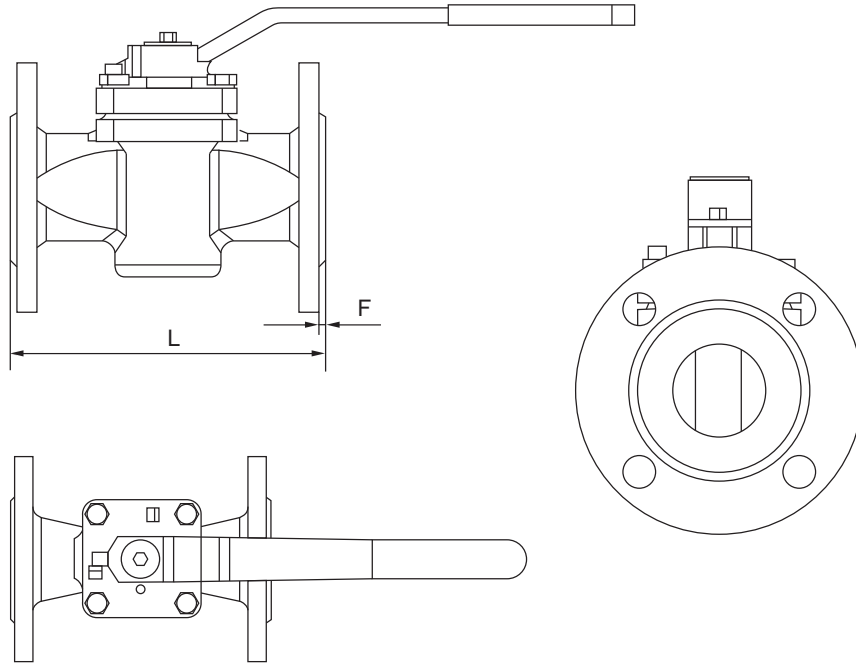
## Anticorrosive Coated Valves Lines Plug Valve



### Materials Selection

| No | Designation    | Qty | Materials                    | Materials According to Norms |               |                        |
|----|----------------|-----|------------------------------|------------------------------|---------------|------------------------|
|    |                |     |                              | ASTM                         | JIS           | DIN                    |
| 1  | BODY           | 1   | Carbon Steel+PFA/FEP/ETFE    | A216-WCB                     | G5151 SCPH2   | GS-45(1.0446)          |
|    |                |     | Stainless Steel+PFA/FEP/ETFE | A351-CF8                     | G5121 SCS13A  | G-X6CrNiMo1810         |
|    |                |     | Ductile Iron+PFA/FEP/ETFE    | ASTM A395                    | FCD400        | GGG-40 ( 0.7040)       |
| 2  | ONE-PIECE PLUG | 1   | Carbon Steel+PFA/FEP/ETFE    | A216-WCB                     | G5151 SCPH2   | GS-45(1.0446)          |
|    |                |     | Stainless Steel+PFA/FEP/ETFE | A351-CF8                     | G5121 SCS13A  | G-X6CrNiMo1810         |
|    |                |     | Ductile Iron+PFA/FEP/ETFE    | ASTM A395                    | FCD400        | GGG-40 ( 0.7040)       |
| 3  | O-RING         | 1   | VITON                        | -                            | -             | -                      |
| 4  | DIAPHRAGM      | 1   | PFA/PTFE                     | -                            | -             | -                      |
| 5  | GASKET         | 1   | Stainless Steel              | A 182 F304                   | G4303-SUSF304 | X5CrNi18 10 DIN 1.4301 |
| 6  | BONNET         | 1   | Carbon Steel                 | A216-WCB                     | G5151 SCPH2   | GS-45(1.0446)          |
|    |                |     | Stainless Steel              | A351-CF8                     | G5121 SCS13A  | G-X6CrNiMo1810         |
|    |                |     | Ductile Iron                 | ASTM A395                    | FCD400        | GGG-40 ( 0.7040)       |
| 7  | WASHER         | 4   | Stainless Steel              | A 182 F304                   | G4303-SUSF304 | X5CrNi18 10 DIN 1.4301 |
| 8  | BONNET BOLT    | 4   | Stainless Steel              | A 182 F304                   | G4303-SUSF304 | X5CrNi18 10 DIN 1.4301 |
| 9  | HANDLE         | 1   | Stainless Steel              | A 182 F304                   | G4303-SUSF304 | X5CrNi18 10 DIN 1.4301 |
| 10 | WASHER         | 1   | Stainless Steel              | A 182 F304                   | G4303-SUSF304 | X5CrNi18 10 DIN 1.4301 |
| 11 | HUB BOLT       | 1   | Stainless Steel              | A 182 F304                   | G4303-SUSF304 | X5CrNi18 10 DIN 1.4301 |
| 12 | SCREW          | 3   | Stainless Steel              | A 182 F304                   | G4303-SUSF304 | X5CrNi18 10 DIN 1.4301 |

## Anticorrosive Coated Valves Lines Plug Valve



### Dimension

Unit: mm

| DN<br>mm | NPS<br>in | AMSE B16.5 |   | JIS B2212 10K |   | DIN2532 Pn10 |   | Weight<br>(kg) | CV   |
|----------|-----------|------------|---|---------------|---|--------------|---|----------------|------|
|          |           | L          | f | L             | f | L            | f |                |      |
| 15       | 1/2       | 108        | 2 | 130           | 2 | 130          | 2 | 2.4            | 10   |
| 20       | 3/4       | 117        | 2 | 150           | 2 | 150          | 2 | 2.4            | 12   |
| 25       | 1         | 127        | 2 | 160           | 2 | 160          | 2 | 3.4            | 17   |
| 40       | 1 1/2     | 165        | 2 | 200           | 2 | 200          | 2 | 4.9            | 39   |
| 50       | 2         | 178        | 2 | 230           | 2 | 230          | 2 | 6              | 70   |
| 80       | 3         | 203        | 2 | 310           | 2 | 310          | 2 | 9              | 180  |
| 100      | 4         | 229        | 2 | 350           | 2 | 350          | 2 | 19             | 305  |
| 150      | 6         | 267        | 2 | 480           | 2 | 480          | 2 | 48             | 712  |
| 200      | 8         | 292        | 2 | 600           | 2 | 600          | 2 | 65             | 1011 |
| 250      | 10        | 330        | 2 | 730           | 2 | 730          | 2 | 88             | 1840 |
| 300      | 12        | 356        | 2 | 850           | 2 | 850          | 2 | 125            | 2435 |