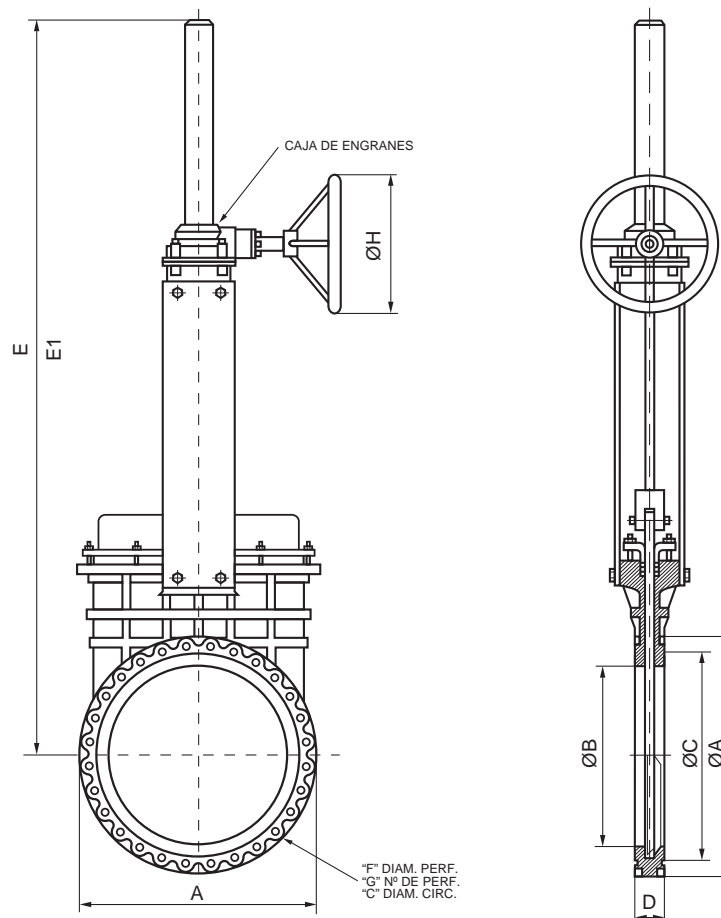


Válvula Tipo Guillotina VG - 05 Unidireccional Manual



TAM.	A	B	C	D	E	E1	F	G	H
			Diam. Circ. Pernos		Largo Cerrado	Largo Abierto	UNC	Cant. Orificios	Diam. Volante
4"	9.00	4.00	7.50	2.00	18.00	24.50	5/8"	8	10
6"	11.00	6.00	9.50	2.25	24.00	30.00	3/4"	8	12
8"	13.50	8.00	11.75	2.75	25.00	34.50	3/4"	8	14
10"	16.00	10.00	14.25	2.75	32.00	42.50	7/8"	12	18
12"	19.00	12.00	17.00	3.00	33.00	46.00	7/8"	12	18
14"	21.00	13.25	18.75	3.00	40.00	54.00	1"	12	20
16"	23.50	15.25	21.25	3.50	43.00	61.00	1"	16	20
18"	25.00	17.25	22.75	3.50	52.00	68.00	1 1/8"	16	24
20"	27.50	19.25	25.00	4.50	52.00	73.00	1 1/8"	20	24
24"	32.00	23.25	29.50	4.50	61.00	84.50	1 1/4"	20	30