

## Wafer Check Valve S4 PVC, PP, PVDF



### General:

Sealing Material: EPDM, FPM  
 Body Material: PVC, PP, PVDF  
 Dimension: DN32 – DN500

### Operating pressure:

see table

### Typen:

S4.60 without return spring  
 S4.70 with return spring

### Return spring material:

Stainless Steel 1.4571  
 Hastelloy C4

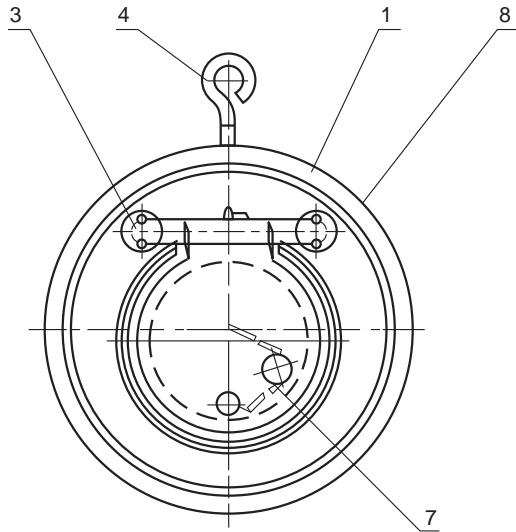
### Features:

Simple and robust construction  
 Mounting between DIN backing ring PN10  
 Supporting ring for assembling  
 Low pressure drop  
 Opening pressure with spring is about  
 20mbar higher  
 Maintenance free

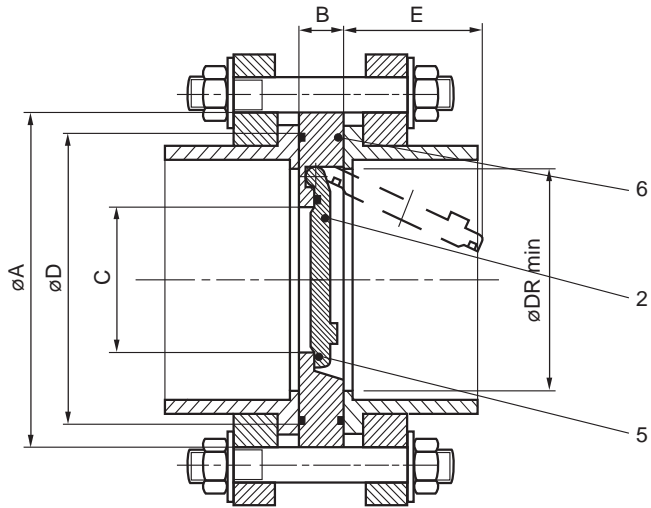
### Exit supports:

Offers better opening position of the disc  
 = better flow characteristics = less  
 pressure drop

## Wafer Check Valve S4 PVC, PP, PVDF

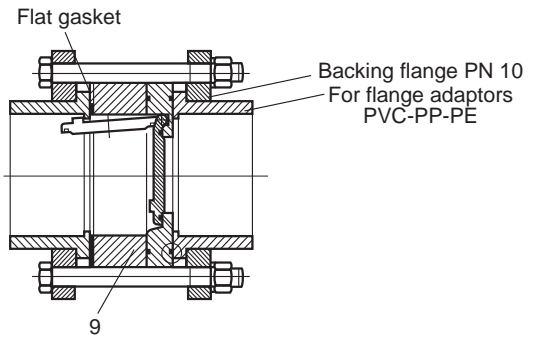


### Parts, Dimensions



#### Parts:

1. Body
2. Disc
3. Screw
4. Ring screw
5. O-Ring
6. O-Ring
7. Spring
8. Typ plate
9. Spacer



without spring    with spring

DN	A	B	B	C	D	E	F	DR
32	85	15	15	18	59	22	25	37
40	95	16	16	22	72	25	28	43
50	109	18	18	32	86	37	29	54
65	129	20	20	40	105	50	31	70
80	144	20	20	54	119	61	32	82
100	164	23	23	70	146	77	31	106
125	195	23	23	92	173	94	35	131
150	220	26	26	105	197	100	40	159
200	275	34	34	154	255	152	38	207
250	330	40	40	192	312	180	41	260
300	380	45	45	227	363	215	41	309
350	440	49	49	266	416	245	54	341
400	491	65	65	310	467	285	55	392
450	541	68	78	350	520	330	61	443
500	596	78	87	400	550	385	58	493