

Aerating Valve S4



General:

- Material: PVC-U / PP
- Sealing material: EPDM / FPM
- Dimensions: DN10- DN80
d16-d110
3/8"- 4"

Connector types

PVC

- Solvent socket DIN
- Solvent spigot DIN
- Threaded socket BSP
- PE fusion spigot DIN

PP

- Fusion socket DIN
 - Fusion spigot DIN
 - Threaded socket BSP
- Further connector types on request

Operating pressure:

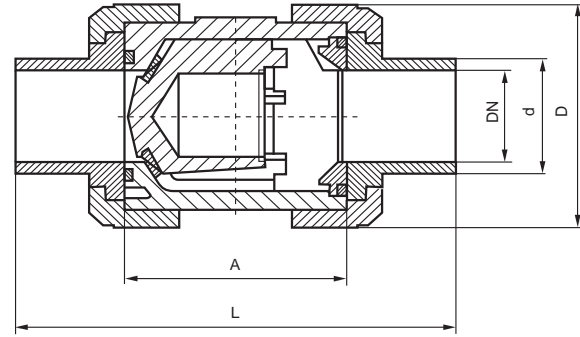
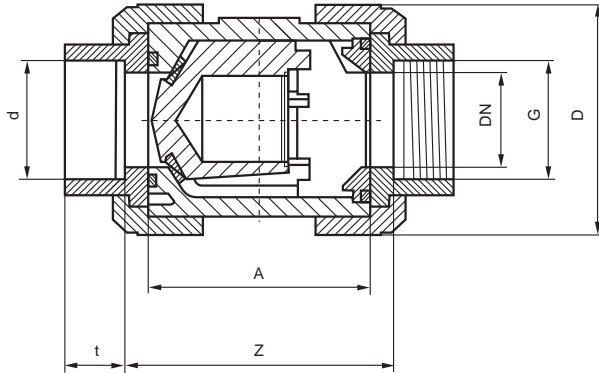
DN10 d16 d3/8" - DNSO d63 d2"
PN16/10
DN65 d75 d2 1/2"
PN16/8
DN80 d90 d3"
PN10/6
DN80 d110 d4"
PN6

Technical features:

- Maintenance free operation over a long working life
- Service friendliness
- Radial installation or removal
- Quick and exact closing and opening

Aerating Valve S4

Dimensions:



PVC

Connection types

PVC Solvent socket / Solvent spigot / Threaded socket

PE Fusion spigot

DN	10	15	20	25	32	40	50	65	80	80
d	16	20	25	32	40	50	63	75	90	110
G ^{TSO 1}	3/8"	1/2"	3/4"	1"	1 1/4"	1 1/2"	2"	2 1/2"	3"	-
A	62	62	70	74	84	95	109	137	163	163
D	53	53	63	70	85	101	124.5	155	188	188
t ^{SSO 2}	16.5	16.5	19.5	22.5	26.5	31.5	38.5	45	55.5	64
t ^{SSP 3}	17	17	20	22.5	26.5	31.5	38.5	45	52	64.5
L ^{SSP 3}	115	125	145	154	174	194	223	287	300	341
L ^{FSP 3 PE}	112	123	143	151	142	180	197	253	393	323
Z ^{TSO 1}	67	67	77	81	90	104	120	150	185	-
Z ^{SSO 2}	68	67	76	80	91	103	120	148	180	173
PN	16	16	16	16	16	16	16	16	10	6

¹ TSO = Threaded socket

² SSO = Solvent socket

³ SSP = Solvent spigot

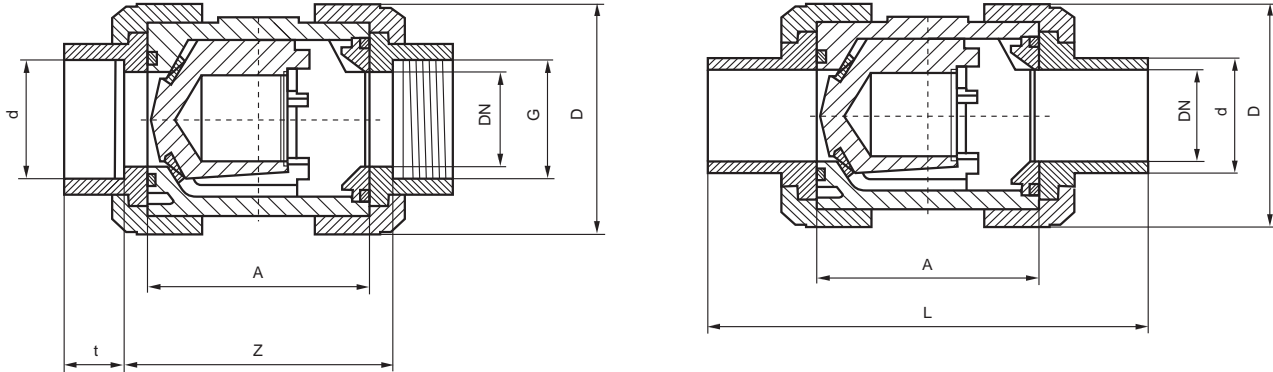
⁴ FSP = Fusion spigot

- = Currently not realised

Dimensions in mm

Aerating Valve S4

Dimensions:



PP

Connection types

PP Fusion socket / Fusion spigot / Threaded socket

DN	10	15	20	25	32	40	50	65	80	80
d	16	20	25	32	40	50	63	75	90	110
G ^{TSO 1}	3/8"	1/2"	3/4"	1"	1 1/4"	1 1/2"	2"	2 1/2"	3"	-
A	62	62	69	73	83	94	108	133	160	160
D	53	53	64	71	84.5	100	120.5	155	187	187
t ^{FSP 2}	14.5	16	17.5	19.5	22	25.5	29	34.5	38.5	42
L ^{FSP 3}	114	124	143	152	171	191	220	277	295	312
Z ^{TSO 1}	67	67	74	80	89	13	119	143	180	-
Z ^{FSP 2}	71	68	78	84	97	113	136	162	211	211
PN	10	10	10	10	10	10	10	8	6	6

¹ TSO = Threaded socket

² FSO = Fusion socket

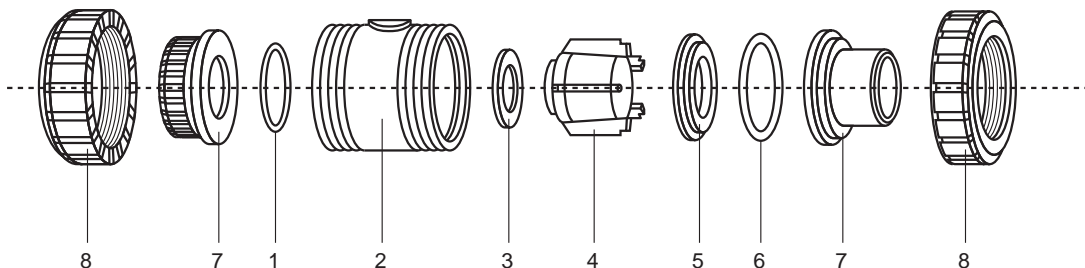
³ FSP = Fusion spigot

- = Currently not realised

Dimensions in mm

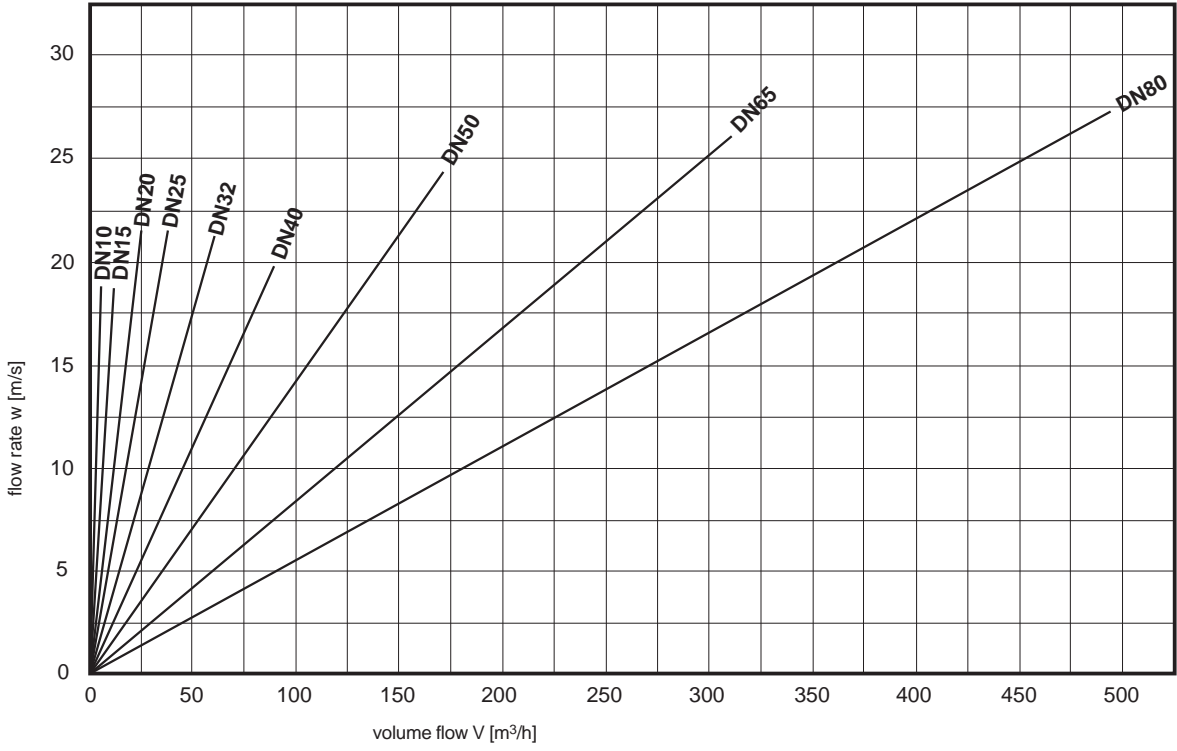
Exploded drawing:

- 01 O-Ring
- 02 Body
- 03 Flat gasket
- 04 Cone
- 05 Thrust collar
- 06 O-Ring
- 07 Connector types
 - Solvent socket
 - Solvent spigot
 - Threaded socket
 - Fusion socket
 - Fusion spigot
- 08 Union nut



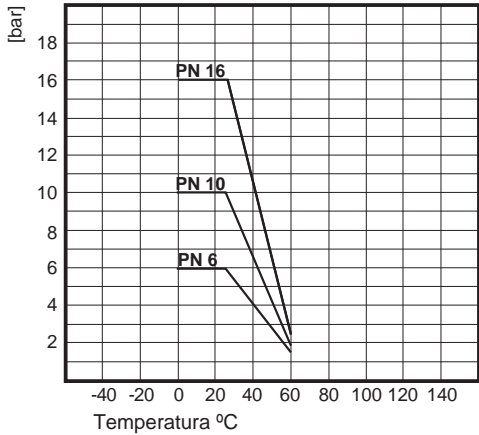
Aerating Valve S4

Diagrams:



Pressure - Temperature - Diagram

PVC



PP

